

# LED ET5-2150H

Lamp Class: T5 Hybrid (A+B)



## Product Description

A smart energy-saving alternative to traditional fluorescent lighting, the Euri Lighting ET5-2150H outputs high lumens for low watts. With hybrid technology, this 4-foot LED tube makes for uncomplicated installation with or without a ballast. Shatterproof glass and built to last 50,000 hours, Euri Lighting's ET5-2150H reduces energy and maintenance worries with every use. See Euri Lighting ET5-2140H for Bright White (4000K).



\*Note: Design, features and specifications subject to change without notice. Some features may not be available on all models. Please visit [www.eurilighting.com](http://www.eurilighting.com) or call 1-888-743-5766 for more information.



## LED Hybrid Tube

Hybrid technology reduces maintenance expenses and allows adaptable installation methods whether a ballast is present or not

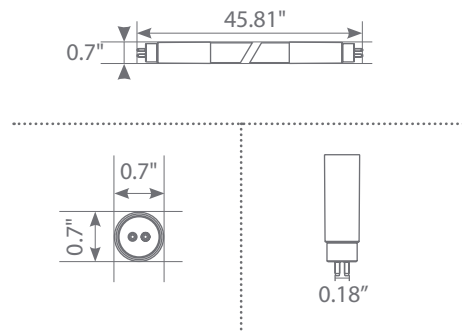
## Specifications

Input Power	Input Voltage	Lumen Output	Beam Angle	Center Beam	CCT
24 W	AC100 - 277 V	3200 lm	320°	N/A	5000 K
CRI	Luminous Efficacy	Power Factor	Input Current	Base/Cap	Lamp Lifespan
80	133 lm/W	0.9	0.22 A	G5	50,000 Hrs.

### Product Features

- Damp Rated
- Shatterproof Glass
- Double Ended

### Product Dimensions



### Product Photometric Data

